

**SERIE AM-14
REVERSIBLE SINGLE-PHASE
AUTOTRANSFORMERS
110/220VAC**

Dry type transformer.

Norms: According to EN 61558-2-13.

Reversible Voltages 110/220 VAC.

Windings: Class H (180°).

Insulation: Class B (130°).

Intermittent use.

Winding without galvanic isolation.

Frequency: 50-60 Hz.

Degree of protection: IP-20.

Made with protective metal covers painted with epoxy resin.

Class I.

Not resistant to short-circuits.

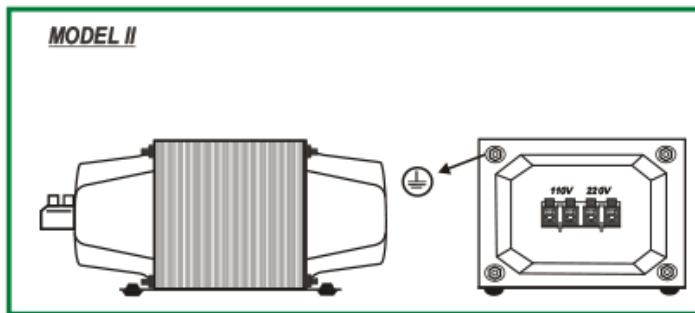
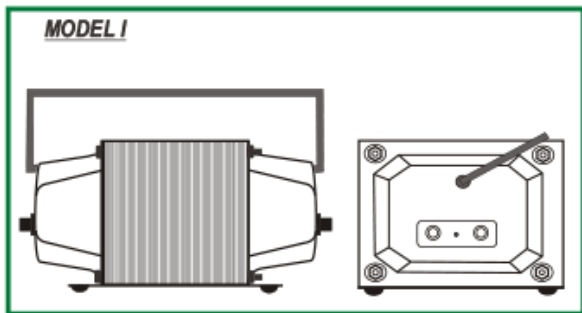
Core protected against corrosion.

Models from 300 VA to 1.000 VA with metal handle.

Models from 2.000 VA to 5.000 VA are manufactured with screw connection terminals.

***Under demand, they can be manufactured in other powers and different voltages of primary and secondary.**

***All specifications listed in this brochure are subject to change without notice.**



30/60 Min

POTENCIA POWER	CODIGO CODE	TENSIONES VOLTAGES	CORRIENTES CURRENTS (A)		MODELO MODEL	EMBALAJE PACKING
			110V	220V		
100 VA	AM-14001	110/220 V AC	0,9A	0,4A	I	10
300 VA	AM-14003	110/220 V AC	2,7A	1,3A	I	8
500 VA	AM-14005	110/220 V AC	4,5A	2,2A	I	8
750 VA	AM-14006	110/220 V AC	6,8A	3,4A	I	8
1000 VA	AM-14007	110/220 V AC	9,1A	4,5A	I	6
1500 VA	AM-14008	110/220 V AC	13,6A	6,8A	I	4
2000 VA	AM-14009	110/220 V AC	18,2A	9,1A	II	4
2500 VA	AM-14010	110/220 V AC	22,7A	11,3A	II	2
3000 VA	AM-14011	110/220 V AC	27,3A	13,6A	II	2
4000 VA	AM-14012	110/220 V AC	36,3A	18,1A	II	1
5000 VA	AM-14013	110/220 V AC	45,4A	22,7A	II	1

Bajo demanda se fabrican en diferentes tensiones y potencias (Máximo cuatro voltajes)

Other voltages arrangements available according to costumers requirements (maximum four voltages).

PHONOVOX

Polígono de Cogullada
C/. Benjamín Franklin, 8
50014 Zaragoza

Email: info@phonovoxsa.com

Tel.: (+34) 976 470 911

Fax: (+34) 976 473 301

*Todas las especificaciones indicadas en este documento podrán modificarse sin previo aviso
*All specifications listed in this brochure are subject to change without notice.

يمكن للتغيير جميع الخصائص الموصوفة دون إشعار مسبق