



SERIE AM-141
REVERSIBLE SINGLE-PHASE
AUTOTRANSFORMERS
110/220VAC

Dry type transformer.

Norms: According to EN 61558-2-13.

Reversible Voltages 110/220 VAC.

Windings: Class H (180°).

Insulation: Class B (130°).

Intermittent use.

Winding without galvanic isolation.

Frequency: 50-60 Hz.

Degree of protection: IP-20.

Made with protective metal covers painted with epoxy resin.

Class I.

Not resistant to short-circuits.

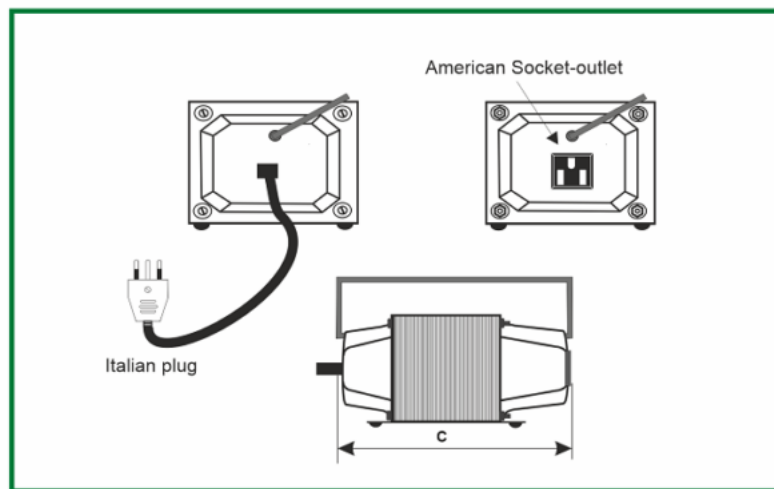
Core protected against corrosion.

Metal handle included.

These models from 300 VA to 1.000 VA are supplied with American socket (110 V) and cable cord with Italian type plug (220 V).

***Under demand, they can be manufactured in other powers and different voltages of primary and secondary.**

***All specifications listed in this brochure are subject to change without notice.**




 30/60 Min

POTENCIA POWER	CODIGO CODE	TENSIONES VOLTAGES	CORRIENTES CURRENTS (A)		EMBALAJE PACKING
			110V	220V	
300 VA	AM-14103	110/220 V AC	2,7A	1,3A	8
500 VA	AM-14105	110/220 V AC	4,5A	2,2A	8
750 VA	AM-14106	110/220 V AC	6,8A	3,4A	8
1000 VA	AM-14107	110/220 V AC	9,1A	4,5A	4

Bajo demanda se fabrican en diferentes tensiones y potencias (Máximo cuatro voltajes)

Other voltages arrangements available according to costumers requirements (maximum four voltages).

PHONOVOX

Polígono de Cogullada
 C/. Benjamín Franklin, 8
 50014 Zaragoza

Email: info@phonovoxsa.com

Tel.: (+34) 976 470 911

Fax: (+34) 976 473 301

***Todas las especificaciones indicadas en este documento podrán modificarse sin previo aviso**

*All specifications listed in this brochure are subject to change without notice.

يمكن للتغيير جميع الخصائص الموصوفة دون إشعار مسبق