



**SERIE AM-32
REVERSIBLE SINGLE-PHASE
AUTOTRANSFORMERS
0-0-110-125-220 VAC**

Dry type transformer.
Norms: According to EN 61558-2-13.
Voltages: 0-0-110-125-220 V AC.
Windings: Class H (180°).
Insulation: Class B (130°).
Intermittent use.
Winding without galvanic isolation.

Frequency: 50-60 Hz.

Degree of protection: IP-20.

Made with protective metal covers painted with epoxy resin.

Class I.

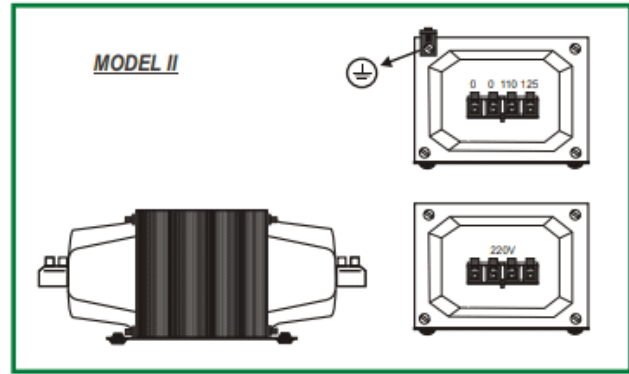
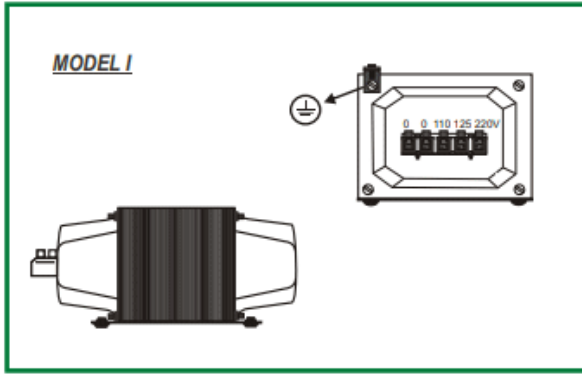
Not resistant to short-circuits.

Core protected against corrosion.

Made with screw connection terminal.

***Under demand, they can be manufactured in other powers and different voltages of primary and secondary.**

***All specifications listed in this brochure are subject to change without notice.**



POTENCIA POWER	CODIGO CODE	TENSIONES VOLTAGES	MODELO MODEL
100 VA	AM-32001	0/0/110/125/220 AC	I
150 VA	AM-32002	0/0/110/125/220 AC	I
300 VA	AM-32003	0/0/110/125/220 AC	I
500 VA	AM-32004	0/0/110/125/220 AC	I
750 VA	AM-32005	0/0/110/125/220 AC	I
1000 VA	AM-32006	0/0/110/125/220 AC	I
1500 VA	AM-32007	0/0/110/125/220 AC	I
2000 VA	AM-32008	0/0/110/125/220 AC	II
2500 VA	AM-32009	0/0/110/125/220 AC	II
3000 VA	AM-32010	0/0/110/125/220 AC	II
4000 VA	AM-32011	0/0/110/125/220 AC	II
5000 VA	AM-32012	0/0/110/125/220 AC	II

Bajo demanda se fabrican en diferentes tensiones y potencias (Máximo cuatro voltajes)

Other voltages arrangements available according to costumers requirements (maximum four voltages).

PHONOVOX

Polígono de Cogullada
C/. Benjamín Franklin, 8
50014 Zaragoza

Email: info@phonovoxsa.com

Tel.: (+34) 976 470 911

Fax: (+34) 976 473 301

*Todas las especificaciones indicadas en este documento podrán modificarse sin previo aviso
*All specifications listed in this brochure are subject to change without notice.

يمكن للتغيير جميع الخصائص الموصوفة دون إشعار مسبق