



**SERIE AM-321  
REVERSIBLE SINGLE-PHASE  
AUTOTRANSFORMERS  
0-100-110-125-220VAC**

Dry type transformer.

Norms: According to EN 61558-2-13.

Voltages: 0-0-110-125-220 VAC.

Windings: Class H (180°).

Insulation: Class B (130°).

Intermittent use.

Winding without galvanic isolation.

Frequency: 50-60 Hz.

Degree of protection: IP-20.

Made with protective metal covers painted with epoxy resin.

Class I.

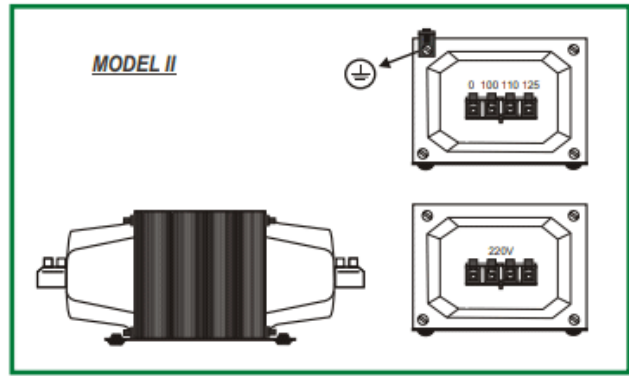
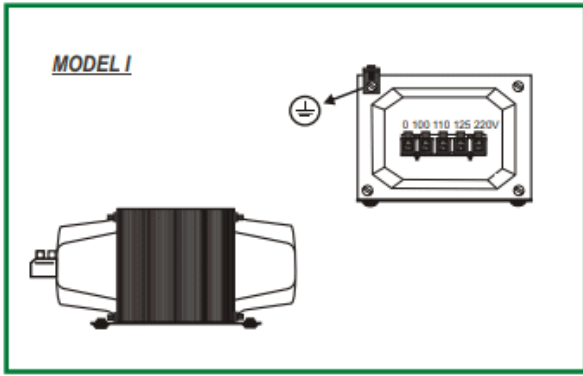
Not resistant to short-circuits.

Core protected against corrosion.

Made with screw connection terminal.

**\*Under demand, they can be manufactured in other powers and different voltages of primary and secondary.**

**\*All specifications listed in this brochure are subject to change without notice.**



POTENCIA POWER	CODIGO CODE	TENSIONES VOLTAGES	MODELO MODEL
100 VA	AM-32101	0/100/110/125/220 AC	I
150 VA	AM-32102	0/100/110/125/220 AC	I
300 VA	AM-32103	0/100/110/125/220 AC	I
500 VA	AM-32104	0/100/110/125/220 AC	I
750 VA	AM-32105	0/100/110/125/220 AC	I
1000 VA	AM-32106	0/100/110/125/220 AC	I
1500 VA	AM-32107	0/100/110/125/220 AC	I
2000 VA	AM-32108	0/100/110/125/220 AC	II
2500 VA	AM-32109	0/100/110/125/220 AC	II
3000 VA	AM-32110	0/100/110/125/220 AC	II
4000 VA	AM-32111	0/100/110/125/220 AC	II
5000 VA	AM-32112	0/100/110/125/220 AC	II

Bajo demanda se fabrican en diferentes tensiones y potencias (Máximo cuatro voltajes)

Other voltages arrangements available according to costumers requirements (maximum four voltages).

The **REVERSIBLE SINGLE-PHASE AUTOTRANSFORMERS PHONOVOX** are apparatus which have been designed chiefly for solving the problems which arise on connecting electrical apparatus for industrial and domestic use to networks of different voltage.

Raise or reduce the mains voltage in order to provide the necessary voltage to the equipments.



# PHONOVOX

Polígono de Cogullada – C/. Benjamín Franklín, 8 – 50014 – Zaragoza

Email: [info@phonovoxsa.com](mailto:info@phonovoxsa.com)

Tel.: (+34) 976 470 911

\*Todas las especificaciones indicadas en este documento podrán modificarse sin previo aviso

\*All specifications listed in this brochure are subject to change without notice.

يمكن للتغيير جميع الخصائص الموصوفة دون إشعار مسبق