



**SERIE AM-322**  
**REVERSIBLE SINGLE-PHASE**  
**AUTOTRANSFORMERS**  
**0-90-110-125-220VAC**

Dry type transformer.  
Norms: According to EN 61558-2-13.  
Voltages: 0-90-110-125-220 VAC.  
Windings: Class H (180°).  
Insulation: Class B (130°).  
Intermittent use.  
Winding without galvanic isolation.

Frequency: 50-60 Hz.

Degree of protection: IP-20.

Made with protective metal covers painted with epoxy resin.

Class I.

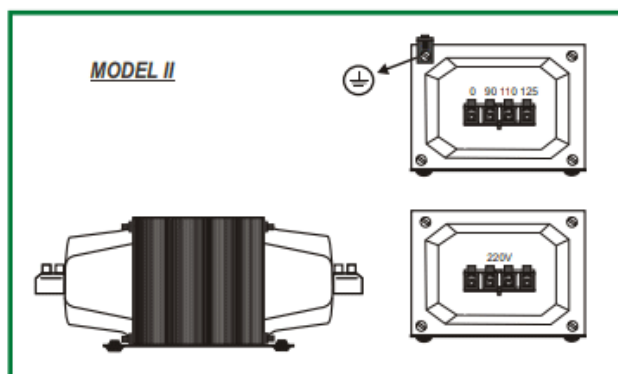
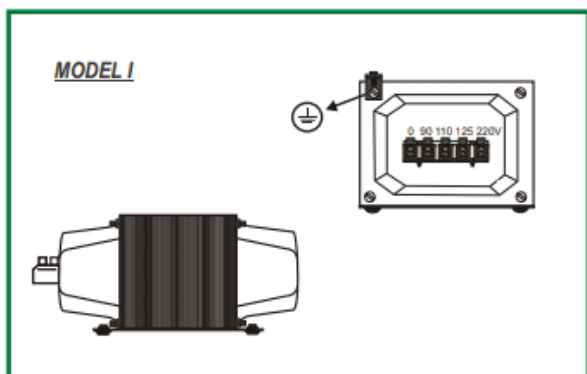
Not resistant to short-circuits.

Core protected against corrosion.

Made with screw connection terminal.

**\*Under demand, they can be manufactured in other powers and different voltages of primary and secondary.**

**\*All specifications listed in this brochure are subject to change without notice.**



POTENCIA POWER	CODIGO CODE	TENSIONES VOLTAGES	MODELO MODEL
100 VA	AM-32201	0/90/110/125/220 AC	I
150 VA	AM-32202	0/90/110/125/220 AC	I
300 VA	AM-32203	0/90/110/125/220 AC	I
500 VA	AM-32204	0/90/110/125/220 AC	I
750 VA	AM-32205	0/90/110/125/220 AC	I
1000 VA	AM-32206	0/90/110/125/220 AC	I
1500 VA	AM-32207	0/90/110/125/220 AC	I
2000 VA	AM-32208	0/90/110/125/220 AC	II
2500 VA	AM-32209	0/90/110/125/220 AC	II
3000 VA	AM-32210	0/90/110/125/220 AC	II
4000 VA	AM-32211	0/90/110/125/220 AC	II
5000 VA	AM-32212	0/90/110/125/220 AC	II

Bajo demanda se fabrican en diferentes tensiones y potencias (Máximo cuatro voltajes)

Other voltages arrangements available according to costumers requirements (maximum four voltages).

# PHONOVOX

Polígono de Cogullada  
C/. Benjamín Franklin, 8  
50014 Zaragoza

Email: [info@phonovoxsa.com](mailto:info@phonovoxsa.com)

Tel.: (+34) 976 470 911

Fax: (+34) 976 473 301

\*Todas las especificaciones indicadas en este documento podrán modificarse sin previo aviso  
\*All specifications listed in this brochure are subject to change without notice.

يمكن للتغيير جميع الخصائص الموصوفة دون إشعار مسبق