



**SERIE TP-LD-20
SAFETY TRANSFORMERS FOR
SWIMMING POOL LIGHTING
FOR LEDS IP-00**

Safety Transformer.

Isolating Transformer.

Manufactured according to the European Norm EN-61558-2-6.

Standard Powers: 20 – 40 – 60 VA

Primary Voltage: 230 VAC

Secondary Voltage: 12 VAC

Frequency: 50-60 Hz.

Protection degree: IP-00.

Temperature: 40 °C

Insulation Class B (130 °C)

Windings: Class H (180 °C)

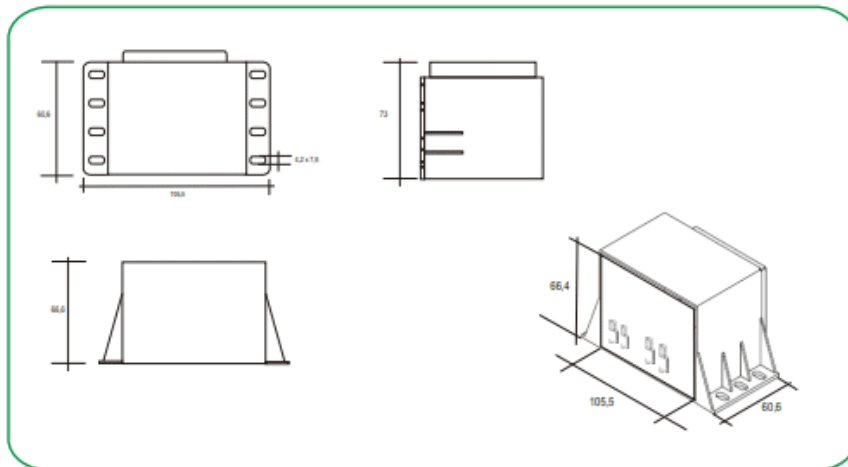
Dielectric Strength (Primary/Secondary): 3.500 V.

Dielectric Strength (Primary/Mass): 1.800 V.

Encapsulated in Polyurethane resin.

*** Other voltages (primary and secondary) and powers available upon customer request .**

***All specifications listed in this brochure are subject to change without notice**



POTENCIA POWER	CODIGO CODE	TENSION ENTRADA PRIMARY VOLTAGE	TENSION SALIDA SECONDARY VOLTAGE	INTENSIDAD SECUNDARIO SECONDARY CURRENT	DIMENSIONES DIMENSIONS		
					A mm.	B mm.	C mm.
20 VA	TP-LD 20001	230 V.	12 V.	1,7 A	105,5	60,6	66,4
40 VA	TP-LD 20002	230 V.	12 V.	3,33 A	105,5	60,6	66,4
60 VA	TP-LD 20003	230 V.	12 V.	5 A	105,5	60,6	66,4

Bajo demanda se pueden fabricar en otras potencias y distintos voltajes de primario y secundario

Other voltages (primary and secondary) and other power available upon request.

PHONOVOX

Polígono de Cogullada
C/. Benjamín Franklin, 8
50014 Zaragoza

Email: info@phonovoxsa.com

Tel.: (+34) 976 470 911

Fax: (+34) 976 473 301

*Todas las especificaciones indicadas en este documento podrán modificarse sin previo aviso
*All specifications listed in this brochure are subject to change without notice.

يمكن للتغيير جميع الخصائص الموصوفة دون إشعار مسبق