



SERIE TS-11
SAFETY TRANSFORMERS
230/400-24/48 VAC

Safety Transformers

Transformer with circuit separation

Manufactured according to the standard EN-61558-2-6:2009

Primary Voltages: 230-400 V AC

Secondary Voltages: 24-48 V AC

Frequency: 50/60 Hz.

Degree of protection: IP-00

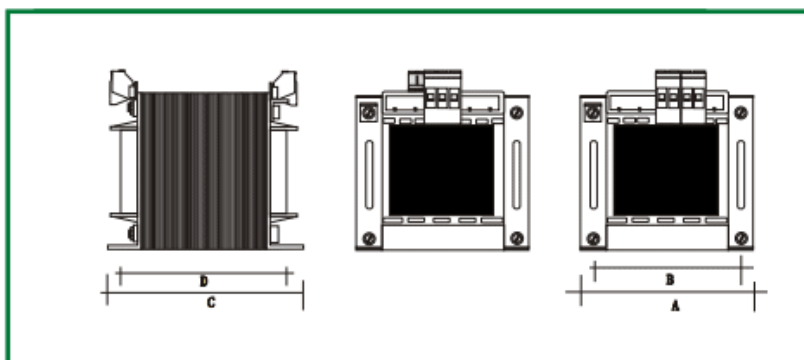
Class I

Insulation Class F (155°C)

Windings Class H (180°C)
 Transformer for indoor built-in-use only.
 Connection terminal for grounding

***Different powers and other voltages in primary and secondary available under request**

***All specifications listed in this brochure are subject to change without notice**



CODIGO CODE	POTENCIA POWER	CORRIENTES PRI. CURRENTS PRI. (A)		CORRIENTES SEC. CURRENTS SEC. (A)		DIMENSIONES mm. DIMENSIONS mm.			
		230V	400V	24 V	48 V	A	B	C	D
TS-11001	63 VA	0,27 A	0,16 A	2,63 A	1,31 A	84	70	71	53
TS-11002	100 VA	0,43 A	0,25 A	4,17 A	2,08 A	84	70	85	66
TS-11003	160 VA	0,70 A	0,40 A	6,67 A	3,33 A	96	80	92	74
TS-11004	250 VA	1,09 A	0,63 A	10,42 A	5,21 A	108	90	110	87
TS-11005	400 VA	1,74 A	1,00 A	16,67 A	8,33 A	126	105	119	90
TS-11008	500 VA	2,17 A	1,25 A	20,83 A	10,42 A	126	105	129	100
TS-11006	630 VA	2,74 A	1,58 A	26,25 A	13,13 A	126	105	139	110
TS-11007	1.000 VA	4,35 A	2,50 A	41,67 A	20,83 A	150	125	162	134

Bajo demanda se fabrican en diferentes tensiones y potencias.

Other voltages arrangements available according to costumers requirements.

PHONOVOX

Polígono de Cogullada
 C/. Benjamín Franklin, 8
 50014 Zaragoza

Email: info@phonovoxsa.com

Tel.: (+34) 976 470 911

Fax: (+34) 976 473 301

*Todas las especificaciones indicadas en este documento podrán modificarse sin previo aviso
*All specifications listed in this brochure are subject to change without notice.

يمكن للتغيير جميع الخصائص الموصوفة دون إشعار مسبق