



SERIE TS-20
ISOLATING TRANSFORMERS
380/220-110/220 VAC

Isolating Transformers

Transformer with circuit separation

Manufactured according to the standard EN-61558-2-2:2007

Primary Voltages: 380-220 V AC

Secondary Voltages: 110-220 V AC

Frequency: 50/60 Hz.

Degree of protection: IP-00

Class I

Insulation Class F (155°C)

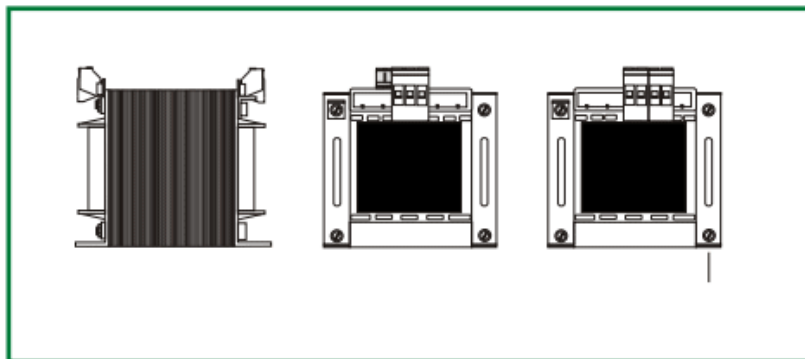
Windings Class H (180°C)

Transformer for indoor built-in-use only.

Connection terminal for grounding

* Different powers and other voltages in primary and secondary available under request

* All specifications listed in this brochure are subject to change without notice



CODIGO CODE	POTENCIA POWER	CORRIENTES PRI. CURRENTS PRI. (A)		CORRIENTES SEC. CURRENTS SEC. (A)	
		380V	220V	110 V	220 V
TS-20001	63 VA	0,17 A	0,29 A	0,57 A	0,29 A
TS-20002	100 VA	0,26 A	0,45 A	0,91 A	0,45 A
TS-20003	160 VA	0,42 A	0,73 A	1,45 A	0,73 A
TS-20004	250 VA	0,66 A	1,14 A	2,27 A	1,14 A
TS-20005	400 VA	1,05 A	1,82 A	3,64 A	1,82 A
TS-20008	500 VA	1,32 A	2,27 A	4,55 A	2,27 A
TS-20006	630 VA	1,66 A	2,86 A	5,73 A	2,86 A
TS-20007	1.000 VA	2,63 A	4,55 A	9,09 A	4,55 A

Bajo demanda se fabrican en diferentes tensiones y potencias (Máximo cuatro voltajes)

Other voltages arrangements available according to costumers requirements (maximum four voltages).

PHONOVOX

Polígono de Cogullada

C/. Benjamín Franklín, 8
50014 Zaragoza

Email: info@phonovoxsa.com

Tel.: (+34) 976 470 911

Fax: (+34) 976 473 301

*Todas las especificaciones indicadas en este documento podrán modificarse sin previo aviso

*All specifications listed in this brochure are subject to change without notice.

يمكن للتغيير جميع الخصائص الموصوفة دون إشعار مسبق