



SERIE TS-291
SAFETY TRANSFORMERS
230/12 VAC

Safety Transformers

Transformer with circuit separation

Manufactured according to the standard EN-61558-2-6:2009

Primary Voltages: 230 V AC

Secondary Voltages: 12 V AC

Frequency: 50/60 Hz.

Degree of protection: IP-00

Class I

Insulation Class F (155°C)

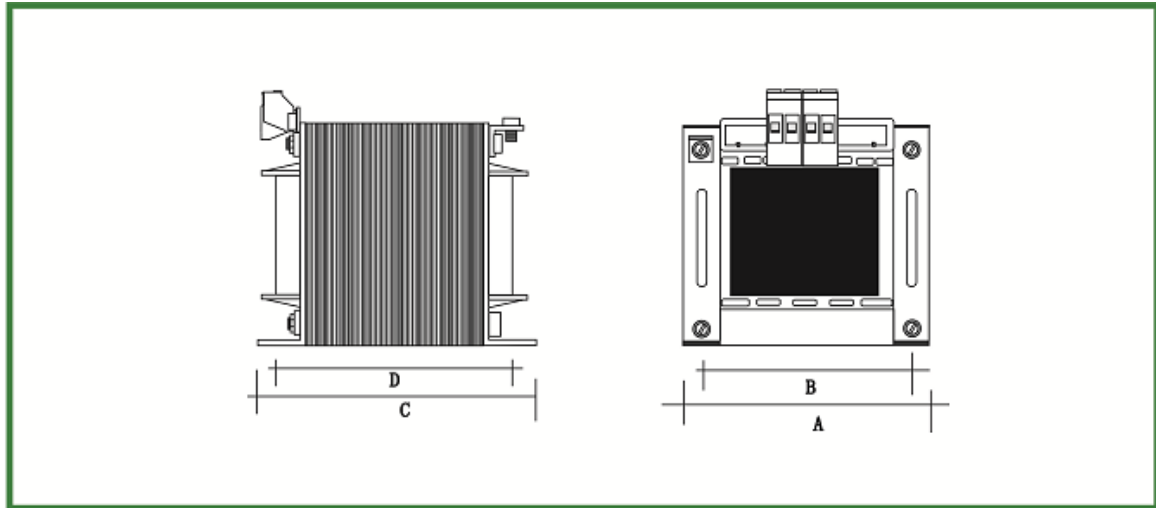
Windings Class H (180°C)

Transformer for indoor built-in-use only

Connection terminal for grounding

***Different powers and other voltages in primary and secondary available under request**

***All specifications listed in this brochure are subject to change without notice**



CODIGO CODE	POTENCIA POWER	CORRIENTES PRI. CURRENTS PRI. (A) 230V	CORRIENTES SEC. CURRENTS SEC. (A) 12 V
TS-29101	63 VA	0,27 A	5,25 A
TS-29102	100 VA	0,43 A	8,33 A
TS-29103	160 VA	0,70 A	13,33 A
TS-29104	200 VA	0,87 A	16,67 A
TS-29105	250 VA	1,09 A	20,83 A
TS-29106	315 VA	1,37 A	26,25 A
TS-29107	400 VA	1,74 A	33,33 A
TS-29108	500 VA	2,17 A	41,67 A
TS-29109	630 VA	2,74 A	52,50 A
TS-29110	1.000 VA	4,35 A	83,33 A

Bajo demanda se fabrican en diferentes tensiones y potencias (Máximo cuatro voltajes)

Other voltages arrangements available according to costumers requirements (maximum four voltages).

PHONOVOX

Polígono de Cogullada
C/. Benjamín Franklin, 8
50014 Zaragoza

Email: info@phonovoxsa.com

Tel.: (+34) 976 470 911

Fax: (+34) 976 473 301

*Todas las especificaciones indicadas en este documento podrán modificarse sin previo aviso

*All specifications listed in this brochure are subject to change without notice.

يمكن للتغيير جميع الخصائص الموصوفة دون إشعار مسبق