



SERIE TS-381
SAFETY TRANSFORMERS
220/380-12 VAC

Safety Transformers

Transformer with circuit separation

Manufactured according to the standard EN-61558-2-6:2009

Primary Voltages: 220/380 VAC

Secondary Voltages: 12 VAC

Frequency: 50/60 Hz.

Degree of protection: IP-00

Class I

Insulation Class F (155°C)

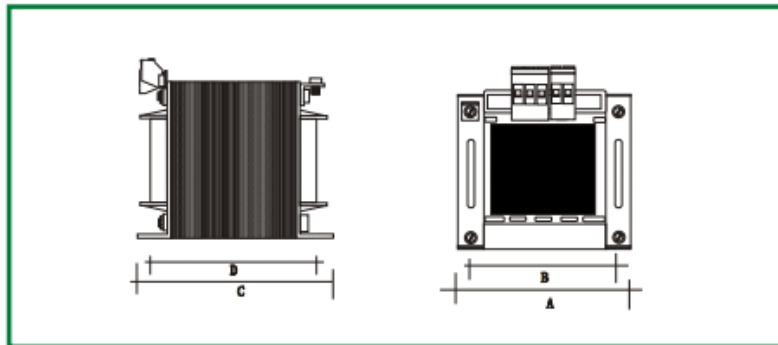
Windings Class H (180°C)

Transformer for indoor built-in-use only

Connection terminal for grounding

***Different powers and other voltages in primary and secondary available under request**

***All specifications listed in this brochure are subject to change without notice**



CODIGO CODE	POTENCIA POWER	CORRIENTES PRI. CURRENTS PRI. (A)		CORRIENTES SEC. CURRENTS SEC. (A)
		380V	220V	12 V
TS-38101	50 VA	0,13 A	0,23 A	4,17 A
TS-38102	63 VA	0,17 A	0,29 A	5,25 A
TS-38103	100 VA	0,26 A	0,45 A	8,33 A
TS-38104	160 VA	0,42 A	0,73 A	13,33 A
TS-38105	200VA	0,53 A	0,91 A	16,67 A
TS-38106	250 VA	0,66 A	1,14 A	20,83 A
TS-38107	300 VA	0,79 A	1,36 A	25,00 A
TS-38108	400 VA	1,05 A	1,82 A	33,33 A
TS-38109	500 VA	1,32 A	2,27 A	41,67 A
TS-38110	630 VA	1,66 A	2,86 A	52,50 A
TS-38111	1.000 VA	2,63 A	4,55 A	83,33 A

Bajo demanda se fabrican en diferentes tensiones y potencias (Máximo cuatro voltajes)

Other voltages arrangements available according to costumers requirements (maximum four voltages).

PHONOVOX

Polígono de Cogullada
C/. Benjamín Franklin, 8
50014 Zaragoza

Email: info@phonovoxsa.com

Tel.: (+34) 976 470 911

Fax: (+34) 976 473 301

*Todas las especificaciones indicadas en este documento podrán modificarse sin previo aviso

*All specifications listed in this brochure are subject to change without notice.

يمكن للتغيير جميع الخصائص الموصوفة دون إشعار مسبق