



SERIE AM-258 REVERSIBLE SINGLE-PHASE AUTOTRANSFORMERS 220/125VAC

Dry type transformer.

Norms: According to EN 61558-2-13.

Reversible Voltages 220/125 V AC.

Windings: Class H (180°).

Insulation: Class B (130°).

Intermittent use.

Winding without galvanic isolation.

Frequency: 50-60 Hz.

Degree of protection: IP-20.

Made with protective metal covers painted with epoxy resin.

Class I.

Not resistant to short-circuits.

Core protected against corrosion.

Models from 300 VA to 1.000 VA with metal handle.

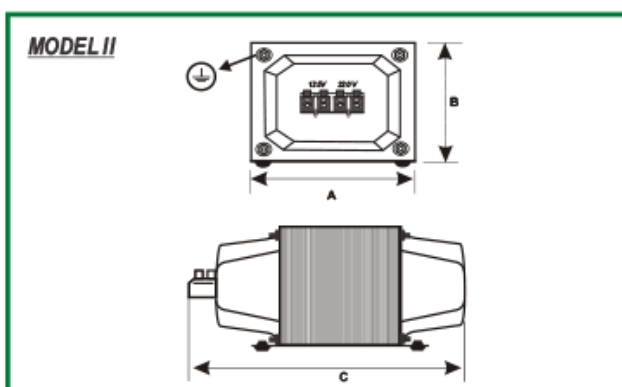
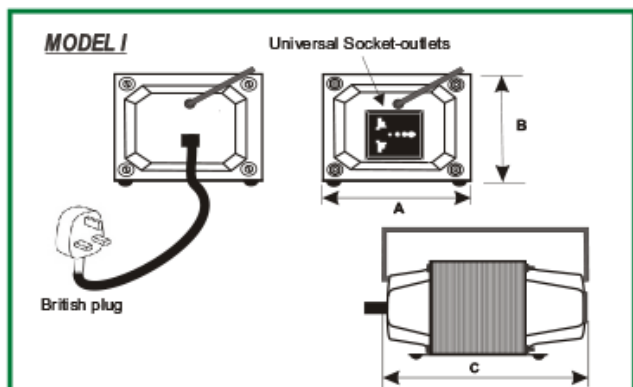
Models from 300 to 1.000 VA are supplied with Universal socket (125 V) and

cable cord with British plug (220 V).

Models from 1.500 VA to 5.000 VA are manufactured with screw connection terminals.

***Under demand, they can be manufactured in other powers and different voltages of primary and secondary.**

***All specifications listed in this brochure are subject to change without notice.**



| POTENCIA POWER | CODIGO CODE | TENSIONES VOLTAGES | CORRIENTE CURRENTS (A) | | MODELO MODEL | DIMENSIONES DIMENSIONS | | |
|-------------------|----------------|-----------------------|---------------------------|------|-----------------|---------------------------|----------|----------|
| | | | 220V | 125V | | A mm. | B mm. | C mm. |
| 300 VA | AM-25801M | 220/125 V | 1,3A | 2,4A | I | 96 | 80 | 127 |
| 500 VA | AM-25802M | 220/125 V | 2,2A | 4A | I | 96 | 80 | 137 |
| 1000 VA | AM-25803M | 220/125 V | 4,5A | 8A | I | 108 | 90 | 170 |
| 1500 VA | AM-25804 | 220/125 V | 6,8A | 12A | II | 126 | 106 | 175 |
| 2000 VA | Am25805 | 220/125 V | 9A | 16A | II | 150 | 126 | 165 |
| 3000 VA | Am25806 | 220/125 V | 13,6A | 24A | II | 150 | 126 | 220 |
| 5000 VA | Am25807 | 220/125 V | 22A | 40A | II | 180 | 150 | 230 |

Bajo demanda se pueden fabricar en otra potencias y distintos voltajes de primario y secundario

Other voltages (primary and secondary) and other power available upon request.

PHONOVOX

Polígono de Cogullada
C/. Benjamín Franklín, 8
50014 Zaragoza

Email: info@phonovoxsa.com

Tel.: (+34) 976 470 911

Fax: (+34) 976 473 301

*Todas las especificaciones indicadas en este documento podrán modificarse sin previo aviso

*All specifications listed in this brochure are subject to change without notice.

يمكن للتغيير جميع الخصائص الموصوفة دون إشعار مسبق