

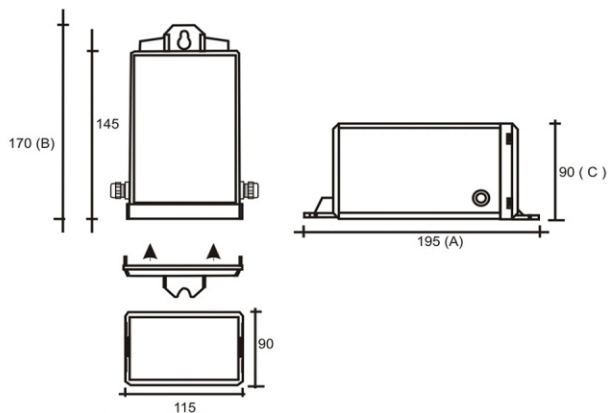
# PHONOVOX



## SAFETY TRANSFORMERS FOR SWIMMINGPOOL LIGHTING

- Safety and Isolating Transformer for new construction or replacement lighting system application.
- Manufactured according EN-61558-2-6.
- Frequency: 50-60 Hz.
- Protection degree: IP-50.
- Encapsulated in Polyurethane resin.
- Polyamide 6 box (Pa6).
- Compression glands IP-68 provided.

**OPTIONAL:** Automatic protection against overloads and overheat by a built-in self-resetting system.



POWER	CODE	PRIMARY VOLTAGE	SECONDARY VOLTAGE
100 VA	TP-20001	230 V.	12 V.
150 VA	TP-20003	230 V.	12 V.
200 VA	TP-20004	230 V.	12 V.
100 VA	TP-20011	230 V.	12-13-14 V.
150 VA	TP-20013	230 V.	12-13-14 V.



**PHONOVOX**

C/Benjamin Franklin 8  
Zaragoza - SPAIN

Tel. +34 976 470911 - Fax +34 976 473301  
export@phonovoxsa.com  
www.phonovoxsa.com